



# TUBELESS VALVE STEMS

Maximum Air Pressure 60 PSI  
Fits rim hole .453"

Part Number	TR #	Effective Length
M412	412	15/16"
M413	413	1-1/4"
M414	414	1-1/2"
M418	418	2"
M423	423	2-1/2"



Fits rim hole .625"

Part Number	TR #	Effective Length
M415	415	1-1/4"
M425	425	2"



Maximum Air Pressure 100 PSI  
Fits rim hole .453"

Part Number	Hole Size	Effective Length
M600HP	.453	1-1/4"
M602HP	.453	2"
M801HP	.625	1-1/4"
TRV522	.453	1-1/4"



Includes grommets for .453" and .625" rim holes

Part #	Description	Length
M416	Clamp in Valve	1-1/4"
M416L	Clamp in Valve	2"
M559	Clamp in Valve	3/4"
M560	VS936 Enkei Valve	3/4"
M561	45* Enkei Valve	3/4"



Maximum Air Pressure 60 PSI  
Fits rim hole .453"

Part #	Description
M413SC	413 W/Chrome Sleeve
M418SC	418 W/Chrome Sleeve

## ELDORADO & TORONADO VALVE

Designed to fit unusual rim hole conditions of 66-78 Toronado & Eldorado disc wheels.  
Fits rim hole .453

Part#	TR#
439	417



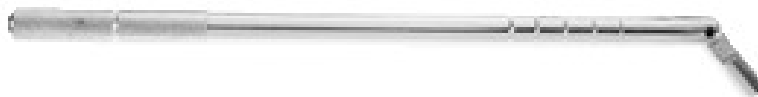
# TUBELESS VALVE STEM ACCESSORIES



## VALVE INSERTION TOOL

**Part #**  
**S449**

**Description**  
Valve Puller



## VALVE CAPS & EXTENSIONS

Part #	Description	Qty
17-492G	Green Nitrogen Cap	100
306C	Plastic Cap	100
315	2" Extension	20
316	1-1/2 Ext.	20
317	1-1/4 Ext.	50
319	3/4" Ext.	50
17-493	Chrome Cap	1
17-494	TR418 Chrome Sleeve	1
17-495	TR413 Chrome Sleeve	1



17-492G



306C



## METAL VALVE EXTENSION

**Part #**  
**M564**

**Description**  
1-3/8" Chrome Ext  
90 deg bend



## DUAL WHEEL FLEXIBLE VALVE EXTENSIONS

This extension provides easy access to the inner dual on campers, RV's, & Light Trucks.

**Part #**  
**S400-6**

**Description**  
Valve Extensions (2pk)



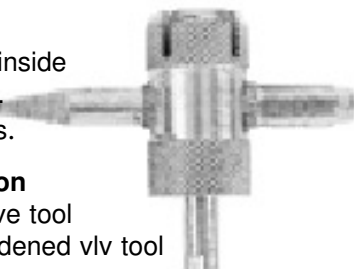
## 4-WAY VALVE TOOL

Repairs and reconditions inside and outside valve threads. Inserts and removes cores.

**Part#**  
**S445**

**Description**  
4-way valve tool

**17-604B**  
4-way hardened vlv tool



## 2-WAY VALVE TOOL

Combination valve core remover and deflator. Corrosion-resistant, cadmium plated.

**Part#**  
**446**

**Description**  
2-way valve tool





# TRUCK VALVE STEMS

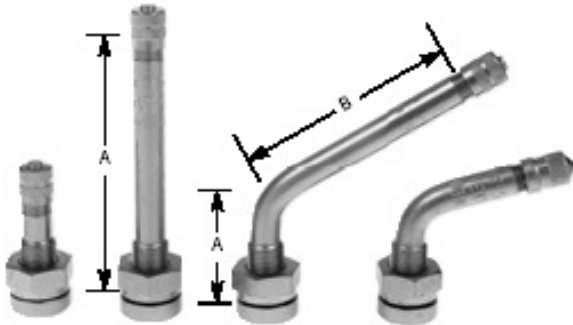
## TRUCK & BUS VALVES



Part #	TR#	Description
M500	TR500	2" Truck Valve
M501	TR501	1-1/2" Truck Valve
M501OV	.....	1-1/2" Oval Truck Vlv
M570	TR570	3-1/8" Truck Valve
M571	TR571	3-3/8" Truck Valve
M572	TR572	3-3/4" Truck Valve
M572-35	TR572	TR572 w/35 deg bend
M573	TR573	4-3/8" Truck Valve
M574	TR574	5-1/4" Truck Valve

Application: Steel drop center rim with .625 rim hole

## O-RING SEAL VALVES



Part #	TR#	(A) Height	(B) Length
M543	543	2.32"	-----
M543D	543D	0.98"	1.38"
M543E	543E	0.98"	1.38"
M544D	544D	0.98"	1.38"
M545	545	3.54"	-----
M545D	545D	0.98"	2.60"
M546D	546D	0.98"	3.25"

Application: Aluminum disc wheel with .389" rim hole

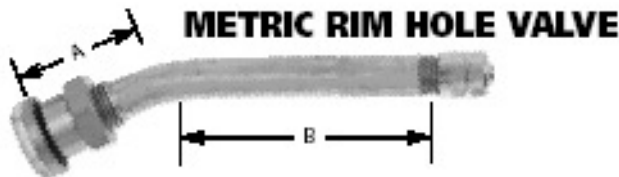
## ALCOA ALUMINUM TRUCK VALVE



Part#	TR#	Description
M509	509	4-3/4" Nickel Plated

Application: Aluminum disc wheel with .625 rim hole

## METRIC RIM HOLE VALVE



Part#	Description
M90MS27	V3-20-4 Metric Valve

Application: For .389 rim hole

## SCREW-ON REPAIR VALVES



For truck and bus, tube-type tires. A quick replacement for broken tube valves with body thread. Cut off old valve and screw on repair valve without cutting out old valve base. (with bridge washer). Can be used with SP-1000 tube spud.

Part Number	TR #	Effective Length
RV1078A	1078A	5"

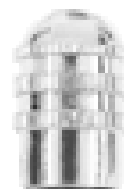


## VALVE CAPS & CORES

Part #	Description
M490HT	H/Temp Valve Cores(100)
M491HT	H/Temp Valve Caps (100)
M579	Double Seal Cap
M490L	H/Temp Long Vlv Core (100)



M490HT



M491HT



M579

## VALVE CORE TOOL

A compact, sturdy tool with a plastic handle provides a firm grip for inserting and removing valve cores.

Part#	Description
607	Valve core wrench



## SHUR LOCK VALVE CORE TOOL

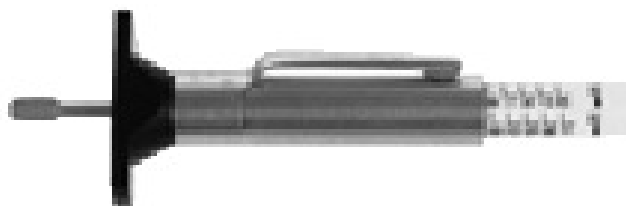
Special design tool for easy installation and



## TREAD DEPTH GAUGE

Quickly and accurately measures how much tread is left on tire. Calibrated in 1/32" units and millimeters. Chrome-plated brass with pocket clip.

Part#	Description
S448	Tread Depth Gauge



## VALVE CORE WRENCH

Part#	Description
S444	Valve core wrench

